

■ Ceiling and Purlin Hanger

Metal strap fixing timber at right angles

Features

Pryda Ceiling and Purlin Hangers are a simple device with a variety of uses in a building and are particularly useful in high wind areas.

Pryda Ceiling and Purlin Hangers are simply nailed onto two pieces of timber crossing each other at right angles.

Specifications

Product Code:

CPH126 - (LH or RH) 126mm long

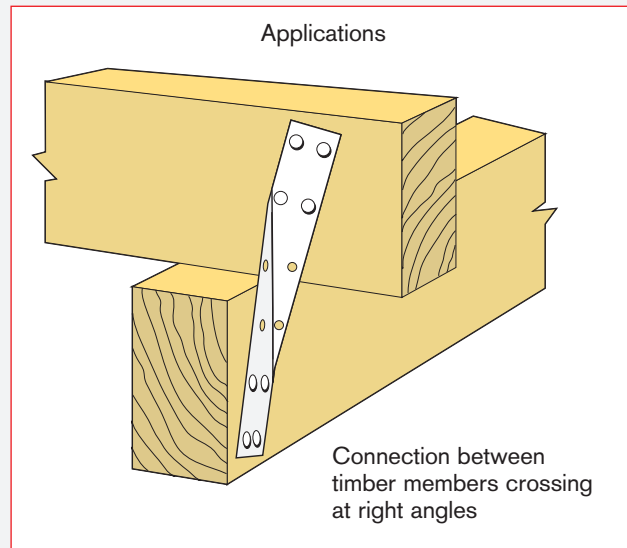
CPH190 - (LH or RH) 190mm long

Material:

1.0mm G250 Z275 galvanised steel coil or stainless steel.

Packing: 50 per carton, single handed only.

Nails: 30 X 3.15 Pryda Product Nails.



Design Loads

	Characteristic Strength (Capacity)	Design Loads (Limit State Design) kN		
		Permanent	Medium	Brief
Steel Strength	6.8	5.4	5.4	5.4
2 Nails each end	2.4	1.15	1.5	1.9
3 Nails each end	3.6	1.7	2.3	2.9
4 Nails each end	4.8	2.3	3.1	3.8a

Loads shown are for single hanger nailed into Green (MC ≤ 25%) MSG8 NZ Radiate Pine or Douglas Fir.

■ Sheet Brace Straps

6kN or 12kN Capacity fixing for sheet-braced wall panels

Features

Mild steel strap fixing complying with the requirements of NZS3604:1999 for a 6kN Capacity Strap.

Use 2 straps, each with nailing as below, where 12kN Capacity fixing is required.

Specifications

Sizes:

25mm x 1.0mm x 300mm

25mm x 1.0mm x 400mm

25mm x 1.0mm x 600mm

Material:

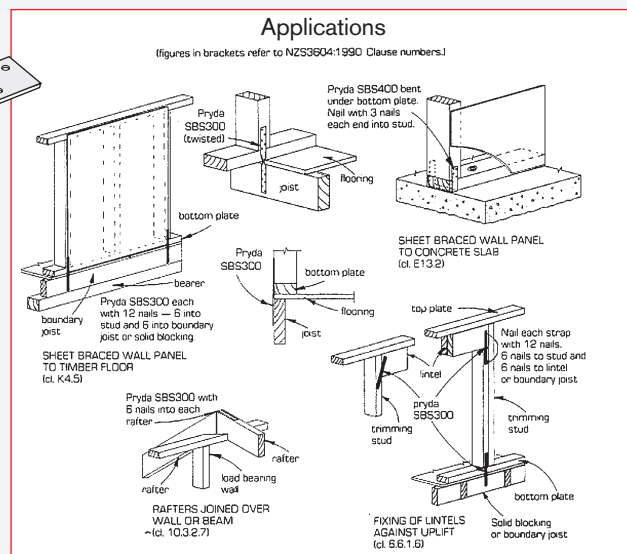
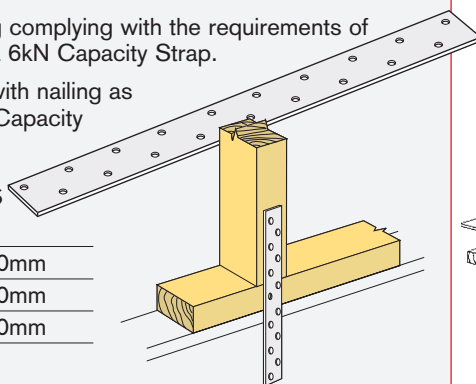
1.0mm G250 Z275 galvanised steel coil or stainless steel.

Product Code:

SBS300 (300 long) / SBS400 (400 long) / SBS600 (600 long)

Packing: 50 per carton (5 bundles each of 10 straps)

Nails: 30 X 3.15 Pryda Product Nails.



Application

Nail with 6 nails at each end of strap for 6kN Capacity fixing. Use Pryda product nails (30 x 3.15 mm Hot Dip Galvanised Bracket Nails).