

ALLPROOF INDUSTRIES

Podium Drain

Height Adjustable Drain for Podium Areas

Features

- Durable cast construction including bronze body, bronze clamp ring and storm series grate
- Ideal for commercial situations, podium areas, carpark, malls, decks
- Spigot fits inside 80mm, 100mm or 150mm pipe riser with o-ring seal
- Clamp ring features drainage holes for weepage
- Round or Square storm series grate options
- PVC pipe used for height adjustment between clamp ring and grate to suit topping level
- Standard Finish Options: Polished Stainless Steel, Linished Bronze, Linished Nickel Bronze
- Independent Flow Rate Tested by BRANZ



Product Code Guide

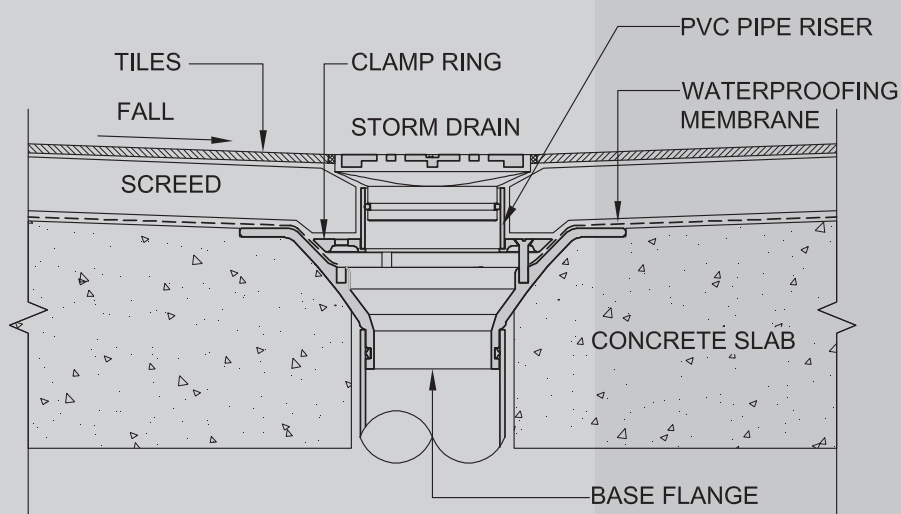
168.GRATE SIZE.PIPE SIZE POD S = Square R = Round SS = Stainless Steel B = Bronze
NB = Nickel Bronze

Eg. 168.150.100PODSSSS



Typical Installation Details

01. Concrete Slab



ALLPROOF
INDUSTRIES