

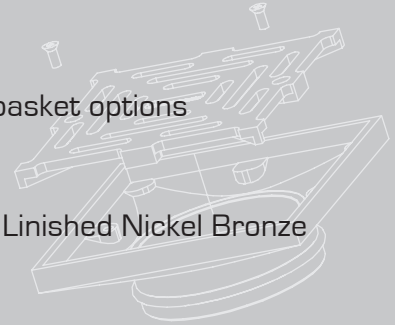
# ALLPROOF INDUSTRIES

## Storm Series

### Commercial Cast Drain

#### Features

- Durable cast construction Square or Round
- Ideal for commercial situations, carparks, malls, decks
- Spigot fits inside PVC or copper pipe riser with o-ring seal
- Square hinged grate, security screws and stainless steel strainer basket options
- Suit pipe size 80mm, 100mm and 150mm
- Grate sizes 100mm, 150mm, 200mm and 300mm
- Standard Finish Options: Polished Stainless Steel, Linished Bronze, Linished Nickel Bronze
- Independent Flow Rate Tested by BRANZ



#### Product Code Guide

**168.GRATE SIZE.PIPE SIZE** S = Square R = Round SS = Stainless Steel B = Bronze  
NB = Nickel Bronze

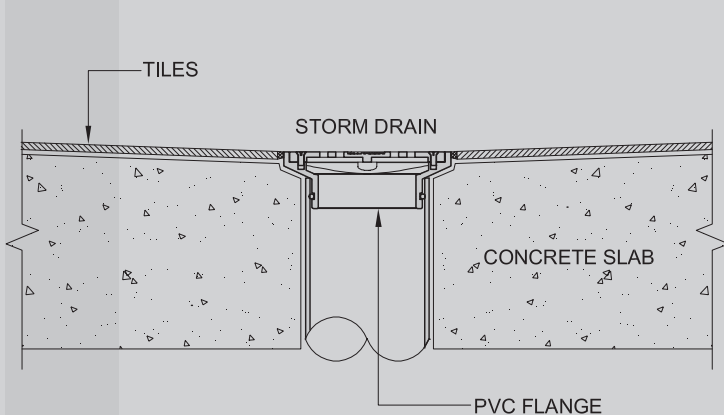
**SQUARE: Eg. 168.150.100SSS**

**ROUND: Eg. 168.150.100RB**

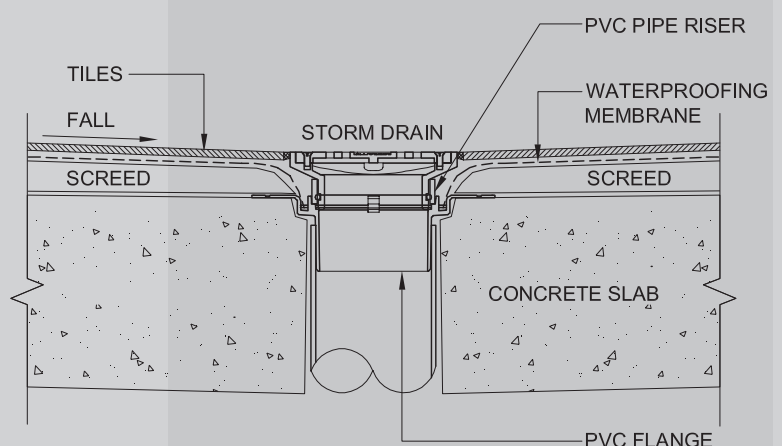


#### Typical Installation Details

##### 01. Slab on ground



##### 02. Suspended Slab



**ALLPROOF**  
INDUSTRIES